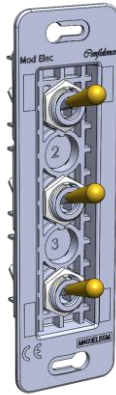
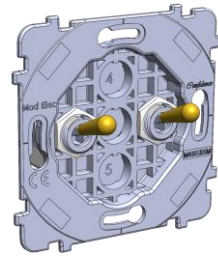


E



EL



S

## 1 INSTRUCTIONS AND RECOMMENDATIONS



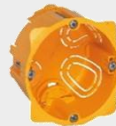
Switch off the mains before commencing any work



Strip the wires back for about 12mm  
Cable cross-section 0.5 min / 2.5mm<sup>2</sup> max



Mechanisms with screw terminals



For single units, use casings 50mm deep,  
diameter 67 or 68mm

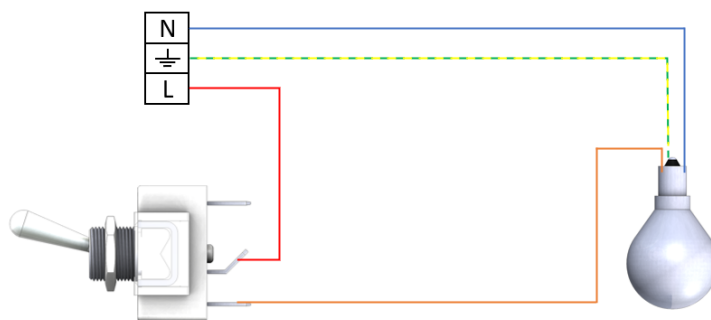
## 2 WIRING

 **N** neutral – blue cable

 **L** phase – red cable

  earth – green/yellow cable

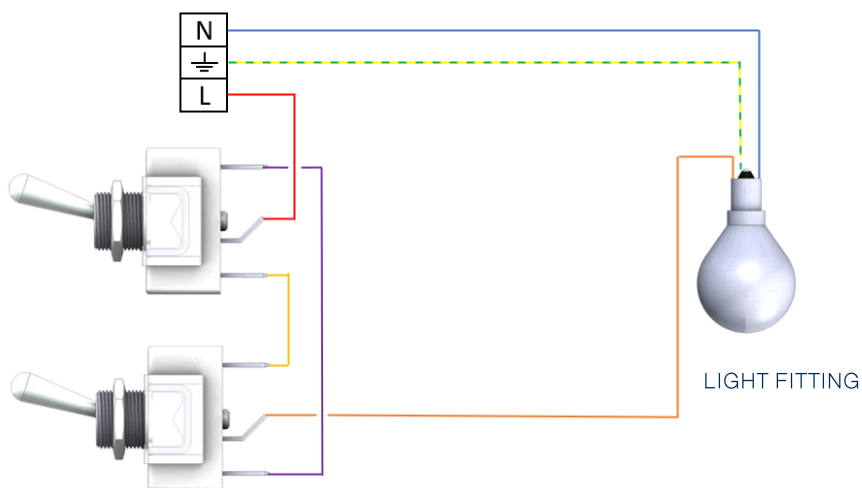
Single toggle light switch



LIGHT FITTING

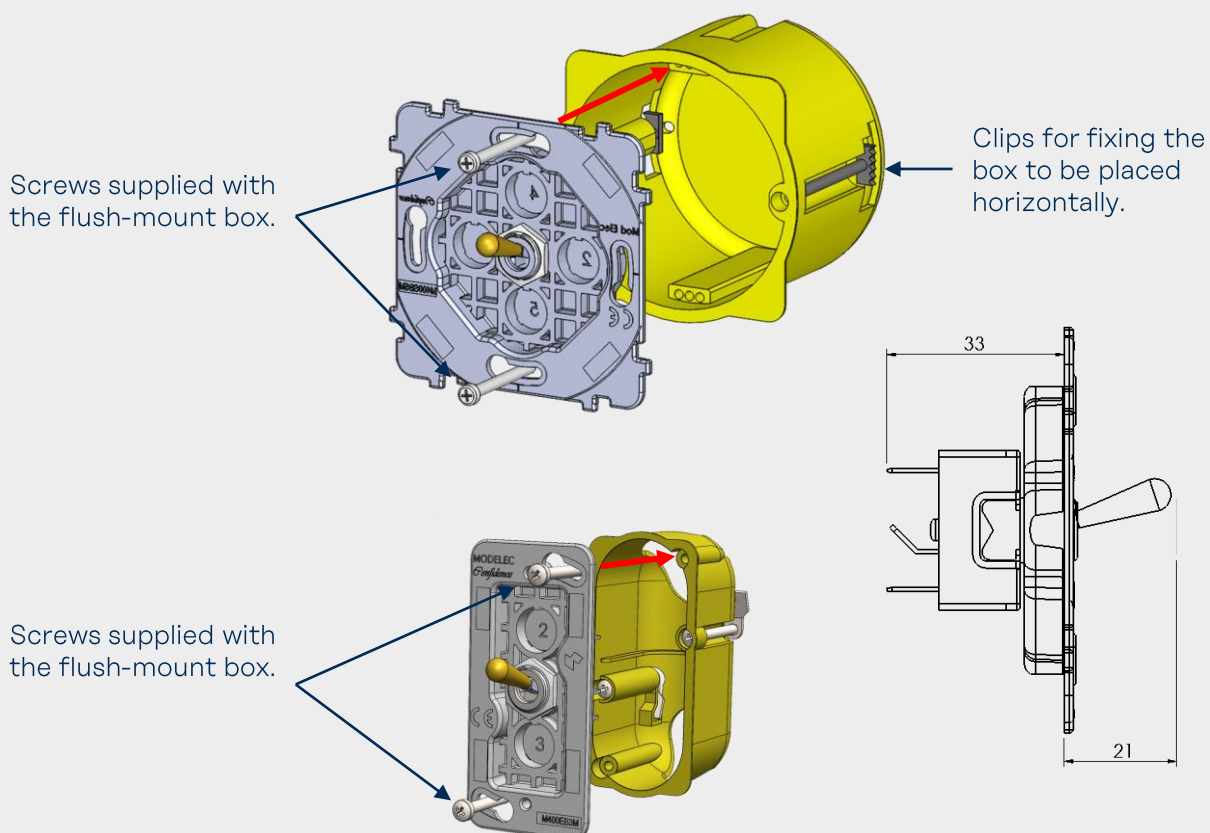


Toggle mode



## 3 FITTING

After wiring according to the instructions, place the mechanism in the flush-mount box and screw on the plate as shown in the following diagrams:



## 4 TABLE OF RELEVANT REFERENCES

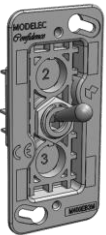
072



073



074



Reference and description:

07x-070G E 1 TOGGLE SWITCH  
07x-071G E 2 TOGGLE SWITCHES  
07x-072G E 1 TOGGLE SWITCH FOR LED

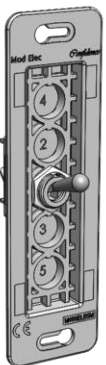
Compatible with:

Confidence Collection



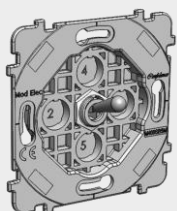
07x-070B E 1 TOGGLE SWITCH  
07x-071B E 2 TOGGLE SWITCHES  
07x-072B E 1 TOGGLE SWITCH FOR LED

Karo Collection



07x-001G EL 1 TOGGLE SWITCH  
07x-002G EL 2 ADJACENT TOGGLE SWITCHES  
07x-003G EL 3 TOGGLE SWITCHES  
07x-004G EL 1 TOGGLE SWITCH FOR LED  
07x-005G EL 2 REMOTE TOGGLE SWITCHES  
07x-006G EL 1 TOGGLE SWITCH FOR LED

Confidence Collection  
Fascination Collection



07x-101G S 1 TOGGLE SWITCH  
07x-102G S 2 TOGGLE SWITCHES  
07x-103G S 3 TOGGLE SWITCHES

Confidence Collection  
Fascination Collection



## 5 CERTIFICATIONS

The 07x toggle mechanisms comply with the NF EN 60-669-01 standard, according to test report no. 149741-706752A produced by the LCIE on 13/04/2018.

